

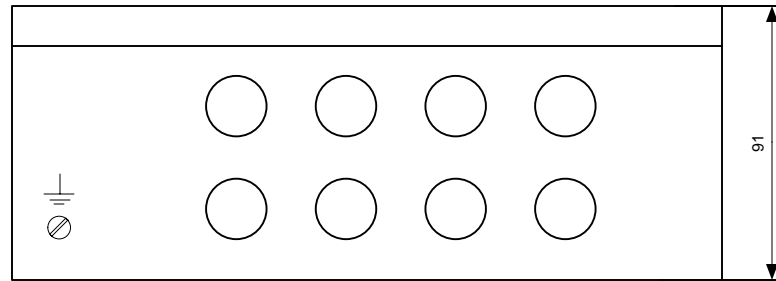
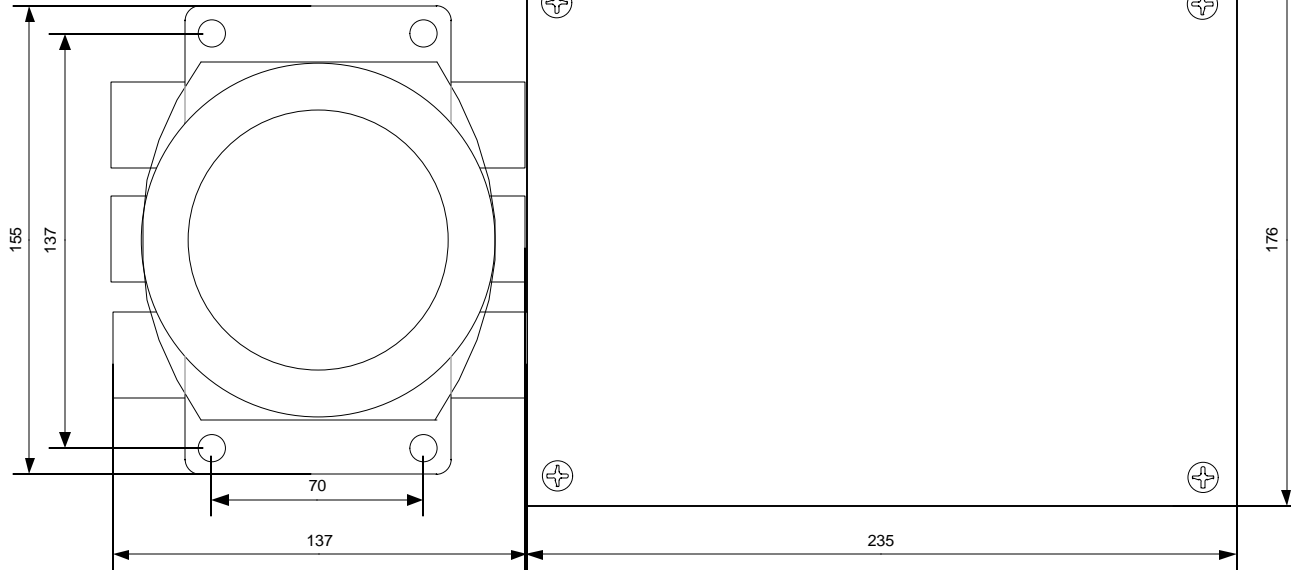
8 7 6 5 4 3 2 1

H
G
F
E
D
C
B
A

H
G
F
E
D
C
B
A

Ex d enclosure, SS316

Ex e enclosure, SS316



DIMENSIONS (HxWxD): 176 x 372 x 124mm
 WEIGHT: approx. 10kg
 GLAND ENTRIES: 8 x M20 (bottom of ex e enclosure)

4				
3				
2	15.05.12	CT		New Ex e enclosure
1	23.03.12	CT		
REV.	DATE	DESIGN	APP.	REVISION NOTES



Val Controls A/S
 Limfjordsvej 3 • DK 6715 Esbjerg N
 Tel. +45 7547 0600 • FAX +45 7547 0611
 www.valcontrols.com • vc@valcontrols.com

DESCRIPTION		
IHP24-BFE		
DESIGN DATE	DESIGNED BY	
23.04.2012	CT	
REVISION DATE	Revision	Drawing No.
15.05.2012	2	DHP-DD-007

Copyright © 2011 Val Controls A/S All Rights Reserved

8 7 6 5 4 3 2 1