

HARDWARE MANUAL

Ixx24-BF



Table of contents

1	General.....	3
1.1	Safety instructions	3
1.2	Environment	3
1.3	Mounting and dimension	3
2	Communication.....	4
2.1	Control loop – AI0 and Transmitter loop – AO0 (HART).....	4
2.1.1	Terminals	4
2.1.2	Electrical specifications	4
2.2	Modbus.....	5
2.2.1	Terminals	5
2.2.2	Electrical specifications	5
2.3	Foundation Fieldbus	6
2.3.1	Terminals	6
2.3.2	Electrical specifications	6
3	Main board.....	7
3.1	Power supply – PS2.....	7
3.1.1	Terminals	7
3.1.2	Electrical specifications	7
3.2	4-20mA input – AI1	8
3.2.1	Terminals	8
3.2.2	Electrical specifications	8
3.3	Position sensor – AI10.....	9
3.3.1	Terminals	9
3.3.2	Electrical specifications	9
3.4	Digital output – DO1, DO2, DO3, DO4.....	10
3.4.1	Terminals	10
3.4.2	Electrical specifications	10
4	Alternative digital inputs	11
4.1	Digital input – DI9, DI10, DI11	11
4.1.1	Terminals	11
4.1.2	Electrical specifications	11
4.2	Digital input – DI12.....	12
4.2.1	Terminals	12
4.2.2	Electrical specifications	12
4.3	Digital input – DI13.....	13
4.3.1	Terminals	13
4.3.2	Electrical specifications	13

1 General

This manual covers the following products:

IHP24-BF
IDP24-BF with software DID-SW-001
IVC24-BF
IDC24-BF
ILB24-BF
ILC24-BF
IPC24-BF

1.1 Safety instructions

For a safe installation of a Val Controls device, the following must be observed. The module must be installed by qualified personnel who are familiar with the national and international laws, directives and standards that apply to this product as well as all instructions in this manual.

The information in this manual is subject to changes without notice.

1.2 Environment

Operating temperature¹: -30 to 80 °C

Storage temperature¹: -30 to 80 °C

¹ Depending on model. Please contact Val Controls

Relative Humidity: < 95% (No condensation)

The printed circuit boards are coated for tropical climate and harsh environments to resist airborne contamination according to G3, ISA-71.04-2013.

Ingress protection²: IP68

² Ex d enclosure only. For Ex e enclosure see certification label.

1.3 Mounting and dimension

Screw torque: 3.5 lb in

Wire diameter: AWG 12-22

All external components must have specifications that fit the desired performance and requirements of the valve/actuator system.

After installation the lid has to be closed properly to maintain the IP rating.

The O-ring is as standard treated with Molykote 55 O-ring grease. To maintain the IP rating the O-ring has to be treated every 2nd year with Molykote 55 O-ring grease or similar.

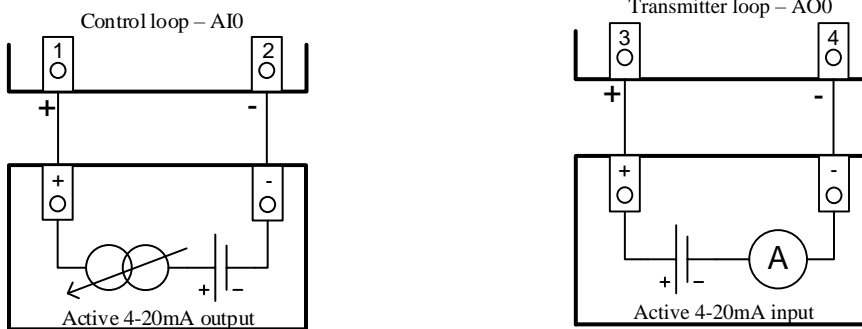
Dimensional drawing can be found on www.valcontrols.com

2 Communication

Several communication types are available as options.

2.1 Control loop – AI0 and Transmitter loop – AO0 (HART)

Passive 4-20mA input and passive 4-20mA output. On some models HART is available on either AO0 or AI0.



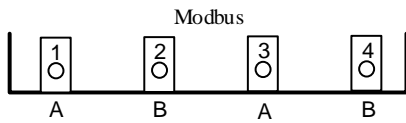
2.1.1 Terminals

AI0	1 (+) 2 (-)
AO0	3 (+) 4 (-)

2.1.2 Electrical specifications

Control loop – AI0	
Impedance	< 470 Ohm at 20mA and 9.4VDC
Linearity	< 0.1%
Temperature coefficient	0.025% / 1°C (Warm-up: 10 min)
HART (optional)	FSK, 1200Hz / 2200Hz 400-800mVpp
Galvanic isolated	
Transmitter loop – AO0	
Impedance	< 470 Ohm at 20mA and 9.4VDC
Linearity	< 0.1%
Temperature coefficient	0.015% / 1°C (Warm-up: 10 min)
HART (optional)	FSK, 1200Hz / 2200Hz 400-800mVpp
Galvanic isolated	

2.2 Modbus



2.2.1 Terminals

Modbus	
1 (A)	
2 (B)	
3 (A)	
4 (B)	

Terminals 1 and 3 are connected inside the device. Terminals 2 and 4 are connected inside the device.

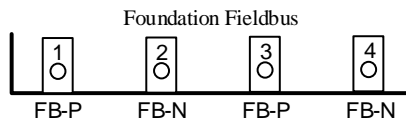
2.2.2 Electrical specifications

Modbus	
Interface	RS485
Termination resistor	No internal resistor. External resistor can be applied across terminal 3 and 4. Termination resistors must have the value of 120 Ohm.
Galvanic isolated	

A maximum of 247 nodes can be connected on the same daisy chain bus.

Typical shielding of the RS485 bus cable is done on the master side of the cable.

2.3 Foundation Fieldbus



2.3.1 Terminals

Foundation Fieldbus	
Foundation	1 (FB-P)
Fieldbus	2 (FB-N)
	3 (FB-P)
	4 (FB-N)

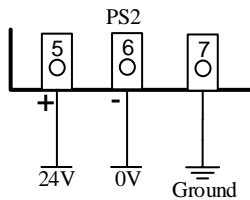
2.3.2 Electrical specifications

FF-Fieldbus	
Interface	FF-Fieldbus - H1 Device Class – Basic Device
Termination	No internal termination

3 Main board

3.1 Power supply – PS2

24VDC power input to the device.



Depending on device configuration, this power supply input may not be used.

3.1.1 Terminals

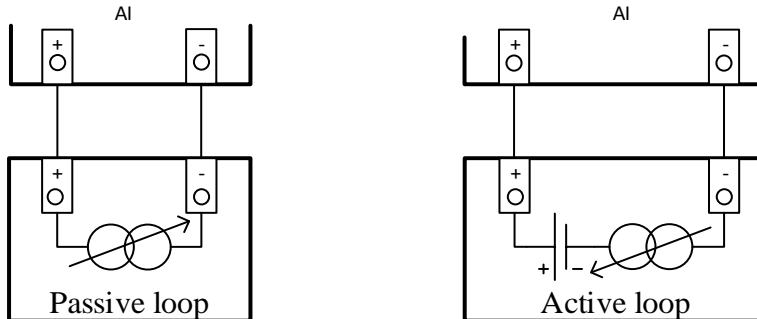
PS2	5 (+) 6 (-) 7 Ground
-----	----------------------------

3.1.2 Electrical specifications

Power supply – PS2	
Power supply	20.4 – 27.6VDC
Power dissipation, no position sensor/loop or valves are connected.	< 2W
Power dissipation, with maximum load on all inputs and outputs	< 5W

3.2 4-20mA input – AI1

The analogue inputs can be used to connect passive 4-20mA sensors to the device or in the alternative configuration active 4-20mA sensors.



3.2.1 Terminals

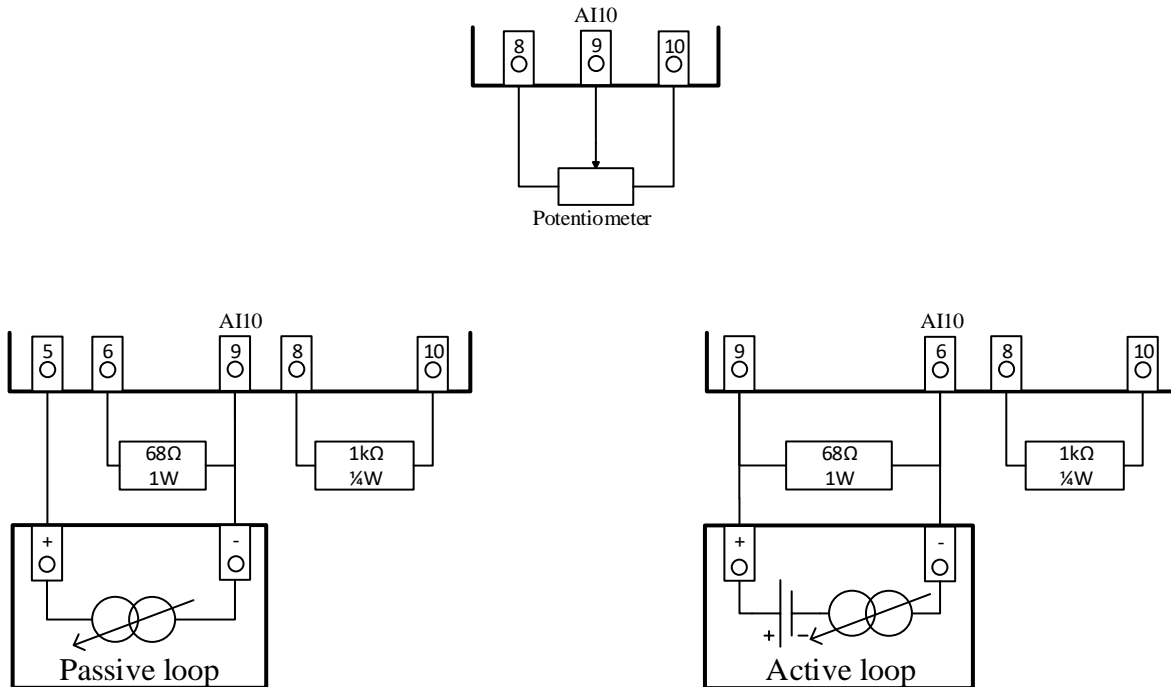
	Passive sensor	Active sensor
AI1	11 (+) 12 (-)	12 (+) 6 (-)

3.2.2 Electrical specifications

AI – Analogue inputs	
External loop max Rload	820 Ohm at 20mA and 16.4VDC
Operating area	4 – 20mA
Minimum span	12mA
Cable length	1000 meters
Linearity	< 0.1%
Temperature coefficient	0.01% / 1°C (Warm-up: 10 min)
Rin	< 100 Ohm

3.3 Position sensor – AI10

The position feedback can be delivered from a 3-wire potentiometer. The sensor input can as an alternative also be used as a 4-20mA loop input.



The external resistors must be mounted to get the correct functionality.

3.3.1 Terminals

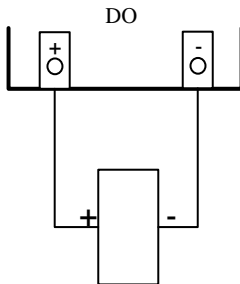
	Sensor	Passive loop	Active loop
AI10	8 Pot high 9 Wiper 10 Pot low	5 (+) 9 (-)	9 (+) 6 (-)

3.3.2 Electrical specifications

AI10 – Position sensor	
Potentiometer size	5 kΩ to 20 kΩ
Minimum use operating area	40%
Cable length	1.5 meters
Linearity	< 0.1%
Temperature coefficient	0.01% / 1°C (Warm-up: 10 min)
AI10 – Loop	
External loop max Rload	820 Ohm at 20mA and 16.4VDC
Operating area	4 – 20mA
Minimum span	12mA
Cable length	1000 meters
Linearity	< 0.1%
Temperature coefficient	0.01% / 1°C (Warm-up: 10 min)
Rin	< 100 Ohm

3.4 Digital output – DO1, DO2, DO3, DO4

24 VDC digital outputs.



3.4.1 Terminals

DO1	13 (+) 14 (-)
DO2	16 (+) 17 (-)
DO3	19: (+) 20: (-)
DO4	22: (+) 23: (-)

All DOs (-) are common with PS2 (-)
All grounds are common with PS2 ground

3.4.2 Electrical specifications

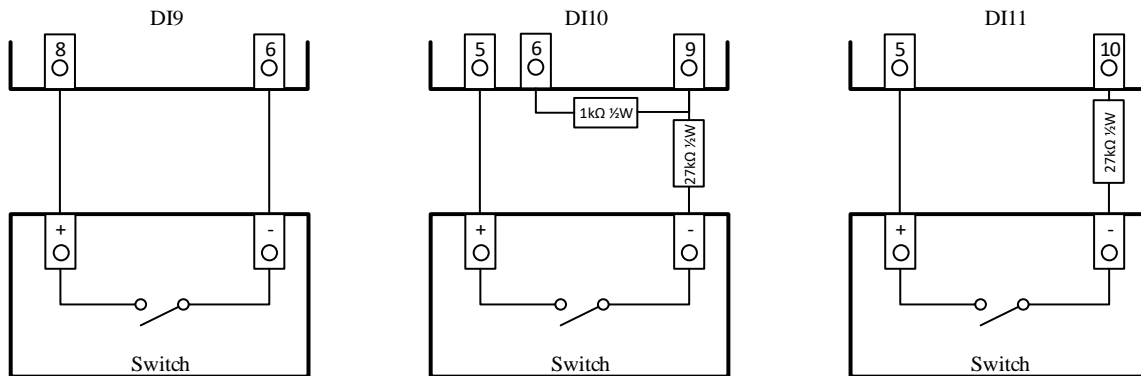
DO – Digital outputs	
Max load per digital output	up to 48W at 24VDC
Max load total	up to 192W at 24VDC

4 Alternative digital inputs

DI9 to DI17 are analogue inputs but configured in a way that makes it possible to use them as digital inputs.

4.1 Digital input – DI9, DI10, DI11

DI9, DI10 and DI11 substitutes AI10



The external resistor must be mounted to get the correct functionality.

4.1.1 Terminals

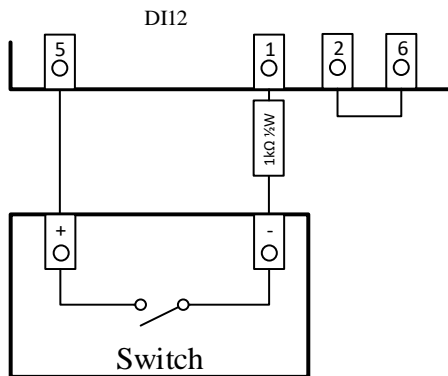
DI9	8 (+) 6 (-)
DI10	5 (+) 9 (-)
DI11	5 (+) 10 (-)

4.1.2 Electrical specifications

DI12	
Type	Switch
Cable length	1.5 meters

4.2 Digital input – DI12

DI12 substitutes AI0



The external resistor and connection between terminal 2 and 6 must be mounted to get the correct functionality.

4.2.1 Terminals

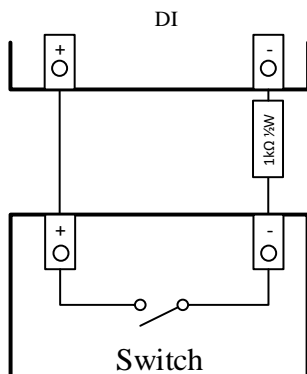
DI12	1 (+) 5 (-)
------	----------------

4.2.2 Electrical specifications

DI12	
Type	Switch
Cable length	1000 meters

4.3 Digital input – DI13

DI13 substitutes AI1.



The external resistor must be mounted to get the correct functionality.

4.3.1 Terminals

DI13	11 (+) 12 (-)
------	------------------

4.3.2 Electrical specifications

DI – Switch	
Type	Switch
Cable length	1000 meters