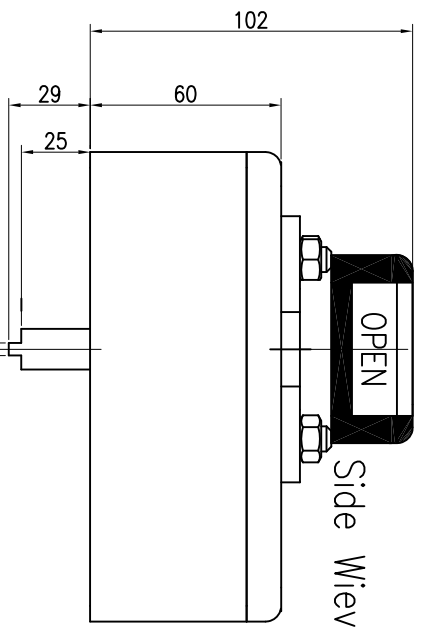
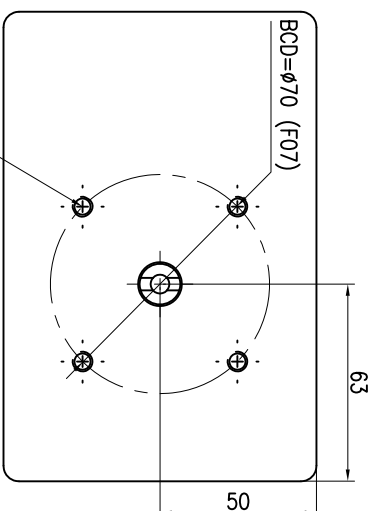
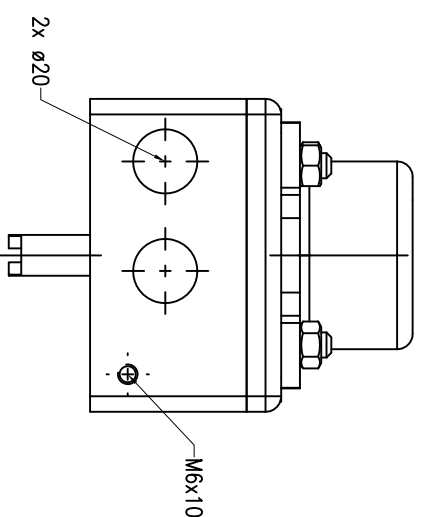


Top View



Side View



The drawing is not dimensional accurate		Sign.	
Approved date/by: 03.06.09 /CT			
Description:		Dimensional drawing -	
Design by: DP		Limit Switchbox	
Date/Rev.: 03.06.09 /01		Article no.: -	
Drw.no.: DS5-DD-01			

