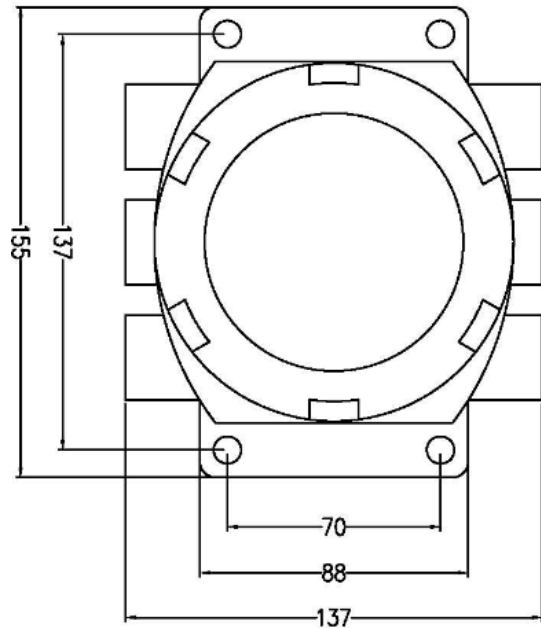


8 7 6 5 4 3 2 1

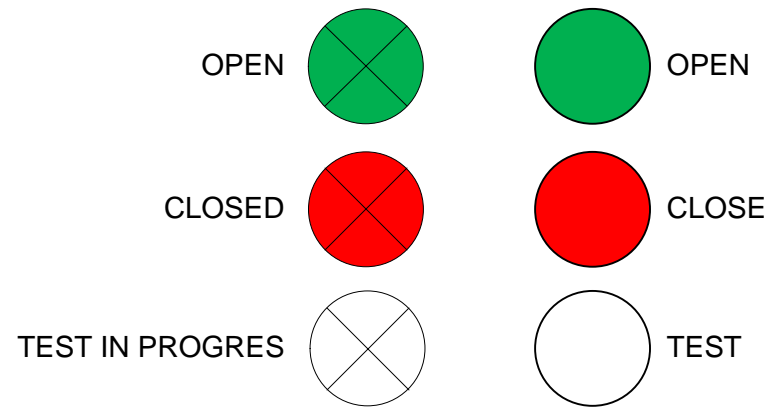
H
G
F
E
D
C
B
A

H
G
F
E
D
C
B
A

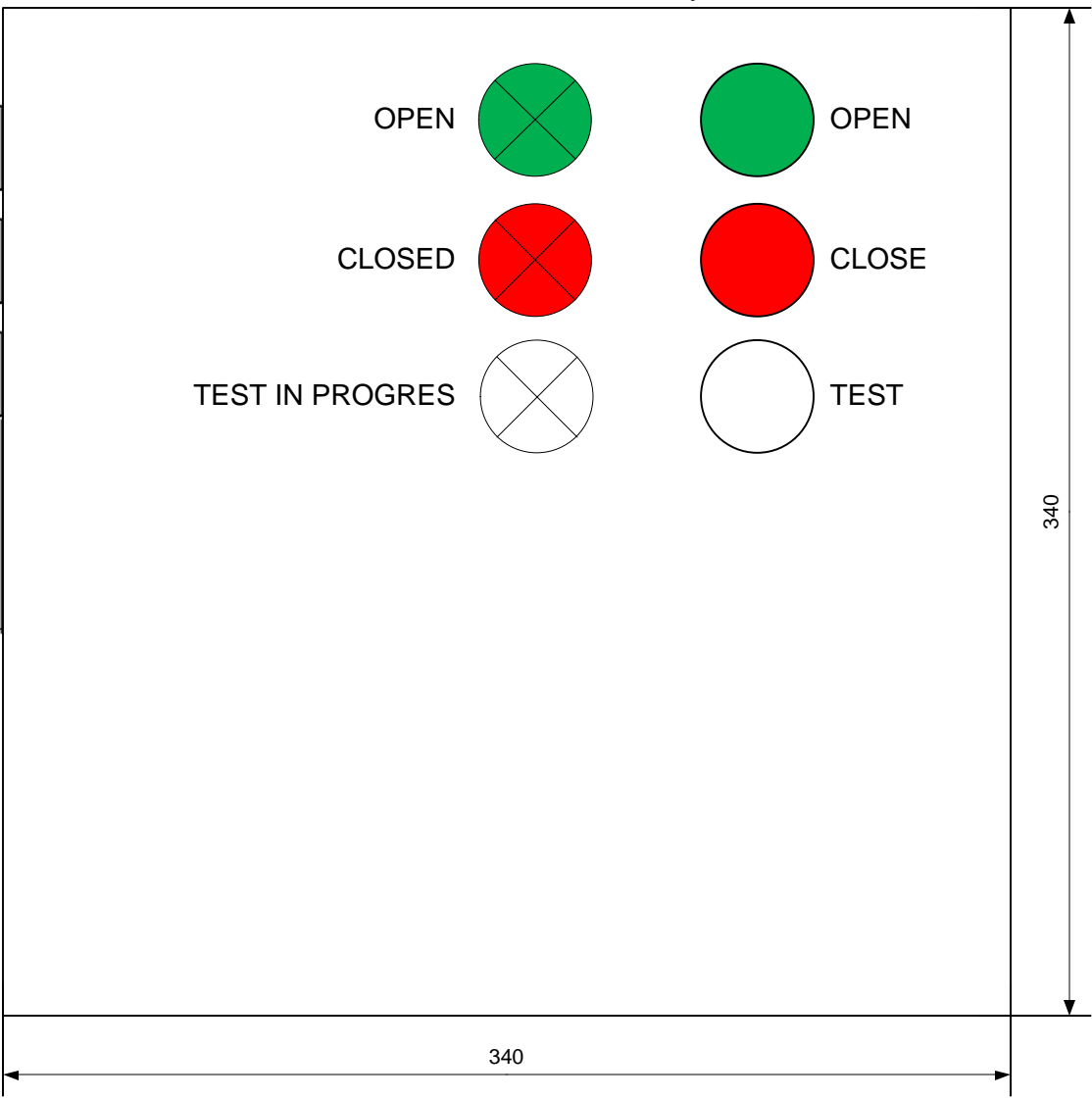
Ex d enclosure, SS316



Ex e enclosure, SS316 or Polyester resin



DIMENSIONS (HxWxD): 340 x 477 x 124mm
 WEIGHT: approx. 10kg
 GLAND ENTRIES: 5 x M20 (bottom of ex e enclosure)



4				
3				
2				
1				
REV.	DATE	DESIGN	APP.	REVISION NOTES

VAL CONTROLS
 Intelligent Valve Control

Val Controls A/S
 Limfjordsvej 3 • DK 6715 Esbjerg N
 Tel. +45 7547 0600 • FAX +45 7547 0611
 www.valcontrols.com • vc@valcontrols.com

Copyright © 2011 Val Controls A/S All Rights Reserved

DESCRIPTION		
IDP24-AFL		
DESIGN DATE	DESIGNED BY	
REVISION DATE	Revision 1	Drawing No. DDP-DD-002

8 7 6 5 4 3 2 1