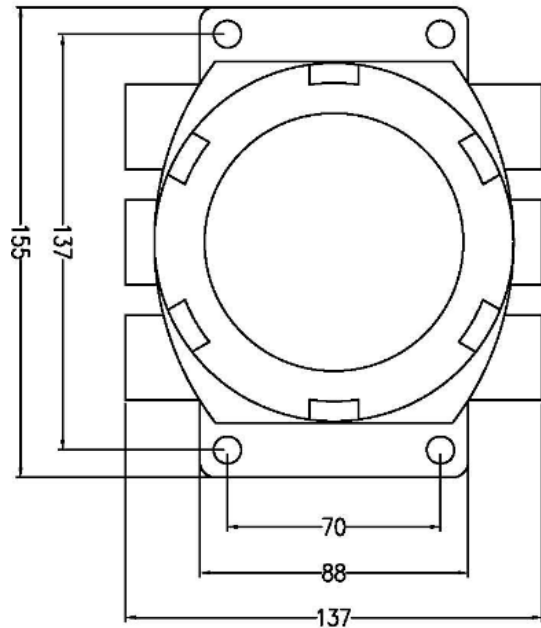


8 7 6 5 4 3 2 1

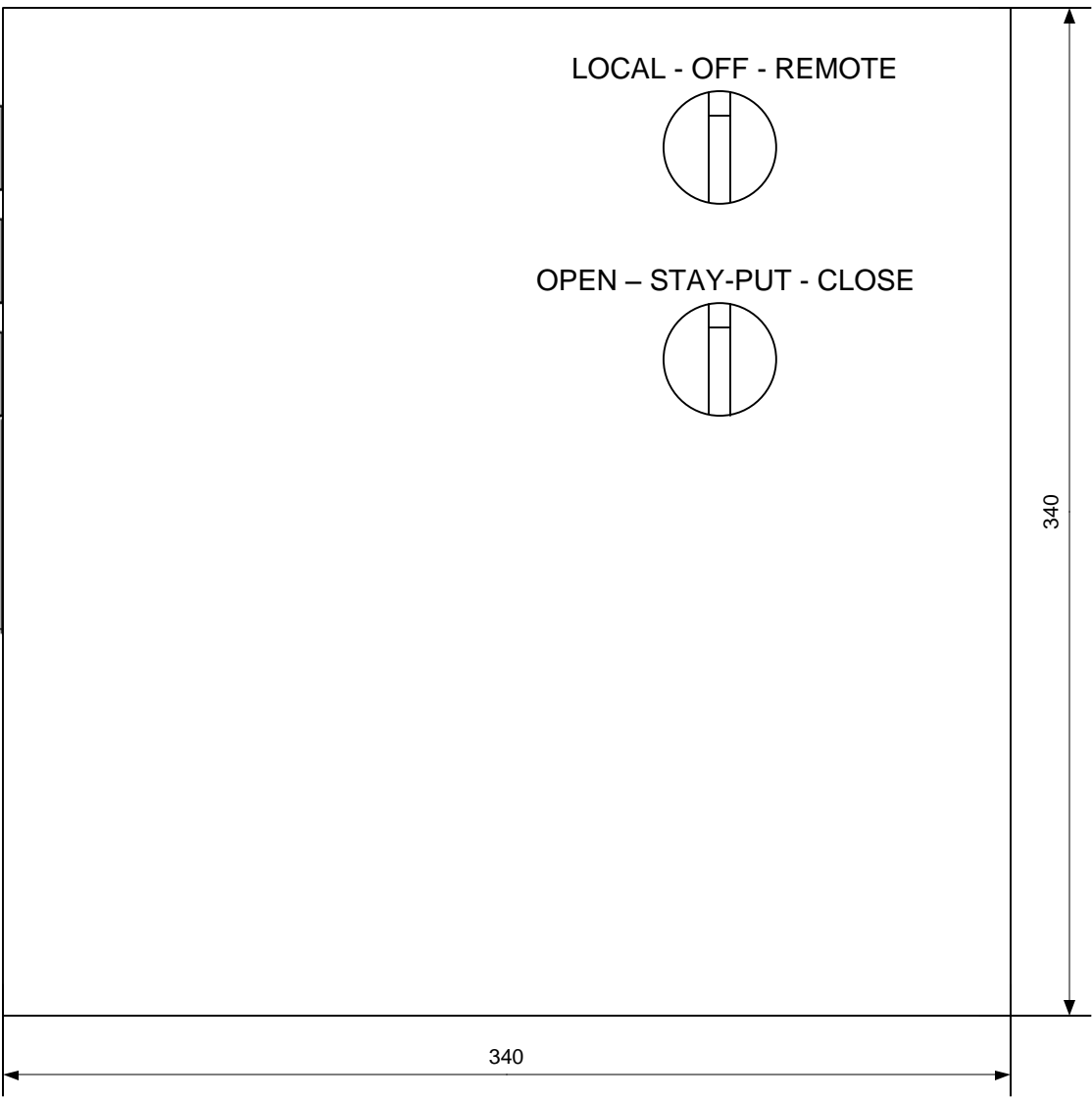
H  
G  
F  
E  
D  
C  
B  
A

H  
G  
F  
E  
D  
C  
B  
A

Ex d enclosure, SS316



Ex e enclosure, SS316



DIMENSIONS (HxWxD): 340 x 477 x 124mm  
 WEIGHT: approx. 10kg  
 GLAND ENTRIES: 8 x M20 (bottom of ex e enclosure)

4				
3				
2				
1				
REV.	DATE	DESIGN	APP.	REVISION NOTES



**Val Controls A/S**  
 Limfjordsvej 3 • DK 6715 Esbjerg N  
 Tel. +45 7547 0600 • FAX +45 7547 0611  
 www.valcontrols.com • vc@valcontrols.com

Copyright © 2011 Val Controls A/S All Rights Reserved

DESCRIPTION		
IHP24-AFL		
DESIGN DATE	DESIGNED BY	
REVISION DATE	Revision 1	Drawing No. DHP-DD-006

8 7 6 5 4 3 2 1