

HARDWARE MANUAL

Ixx24-B



Table of contents

1	General.....	3
1.1	Safety instructions	3
1.2	Environment	3
1.3	Mounting and dimension	3
2	Communication.....	4
2.1	Control loop – AI0 and Transmitter loop – AO0 (HART)	4
2.1.1	Terminals	4
2.1.2	Electrical specifications	4
2.2	Modbus	5
2.2.1	Terminals	5
2.2.2	Electrical specifications	5
3	Main board.....	6
3.1	Power supply – PS2.....	6
3.1.1	Terminals	6
3.1.2	Electrical specifications	6
3.2	Earth	6
3.2.1	Terminal.....	6
3.3	4-20mA input – AI1	7
3.3.1	Terminals	7
3.3.2	Electrical specifications	7
3.4	Position sensor – AI10.....	8
3.4.1	Terminals	8
3.4.2	Electrical specifications	8
3.5	Digital output – DO1, DO2, DO3, DO4.....	9
3.5.1	Terminals	9
3.5.2	Electrical specifications	9
4	Alternative digital inputs	10
4.1	Digital input – DI9, DI10, DI11	10
4.1.1	Terminals	10
4.1.2	Electrical specifications	10
4.2	Digital input – DI12.....	11
4.2.1	Terminals	11
4.2.2	Electrical specifications	11
4.3	Digital input – DI13.....	12
4.3.1	Terminals	12
4.3.2	Electrical specifications	12

1 General

This manual covers the following products:

IHP24-B

1.1 Safety instructions

For a safe installation of a Val Controls device, the following must be observed. The module must be installed by qualified personnel who are familiar with the national and international laws, directives and standards that apply to this product as well as all instructions in this manual.

The information in this manual is subject to changes without notice.

1.2 Environment

Operating temperature: -30 to 80 °C

Storage temperature: -30 to 80 °C

Extended operating temperature¹: -40 to 85°C

Extended storage temperature¹: -55 to 100°C

¹ Please contact Val Controls

Relative Humidity: < 95% (No condensation)

The printed circuit boards are coated for tropical climate and harsh environments to resist airborne contamination according to G3, ISA-71.04-2013.

Ingress protection: IP20

1.3 Mounting and dimension

Mounting: 35mm DIN rail according to EN50022.

Screw torque: 0.4Nm (3.6Lb. in)

Wire diameter: AWG14-22 (0.5mm² til 2.5mm²)

All external components must have specifications that fit the desired performance and requirements of the valve/actuator system.

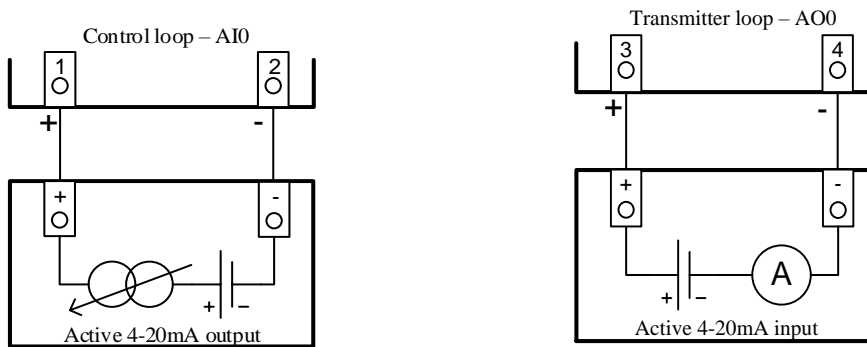
Dimensional drawing can be found on www.valcontrols.com

2 Communication

Several communication types are available as options.

2.1 Control loop – AI0 and Transmitter loop – AO0 (HART)

Passive 4-20mA input and passive 4-20mA output. On some models HART is available on either AI0 or AO0.



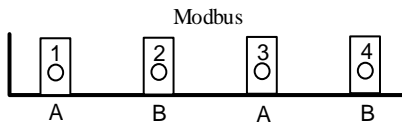
2.1.1 Terminals

AI0	1 (+) 2 (-)
AO0	3 (+) 4 (-)

2.1.2 Electrical specifications

Control loop – AI0	
Impedance	< 470 Ohm at 20mA and 9.4VDC
Linearity	< 0.1%
Temperature coefficient	0.025% / 1°C (Warm-up: 10 min)
HART (optional)	FSK, 1200Hz / 2200Hz 400-800mVpp
Galvanic isolated	
Transmitter loop – AO0	
Impedance	< 470 Ohm at 20mA and 9.4VDC
Linearity	< 0.1%
Temperature coefficient	0.015% / 1°C (Warm-up: 10 min)
HART (optional)	FSK, 1200Hz / 2200Hz 400-800mVpp
Galvanic isolated	

2.2 Modbus



2.2.1 Terminals

Modbus	1 (A) 2 (B) 3 (A) 4 (B)
--------	----------------------------------

Terminals 1 and 3 are connected inside the device. Terminals 2 and 4 are connected inside the device.

2.2.2 Electrical specifications

Modbus	
Interface	RS485
Termination resistor	No internal resistor. External resistor can be applied across terminal 3 and 4. Termination resistors must have the value of 120 Ohm.
Galvanic isolated	

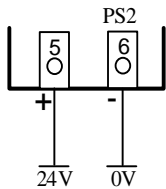
A maximum of 247 nodes can be connected on the same daisy chain bus.

Typical shielding of the RS485 bus cable is done on the master side of the cable.

3 Main board

3.1 Power supply – PS2

24VDC power input to the device.



Depending on device configuration, this power supply input may not be used.

3.1.1 Terminals

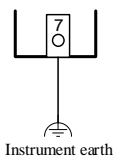
PS2	
	5 (+)
	6 (-)

3.1.2 Electrical specifications

Power supply – PS2	
Power supply	20.4 – 27.6VDC
Power dissipation, no position sensor/loop or valves are connected.	< 2W
Power dissipation, with maximum load on all inputs and outputs	< 5W

3.2 Earth

Device instrument earth terminal shall be connected to instrument earth bar at marshalling cabinet to avoid electromagnetic interference.

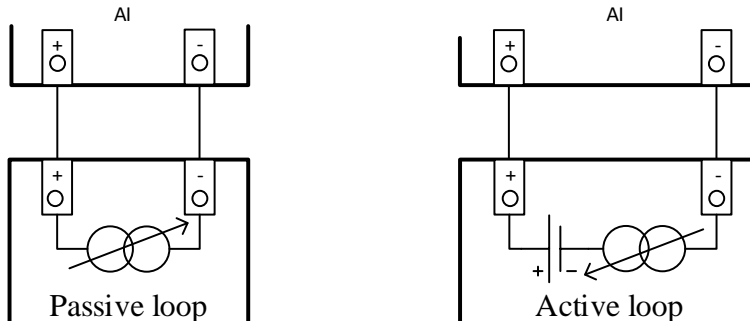


3.2.1 Terminal

IE	
	7 Instrument earth

3.3 4-20mA input – AI1

The analogue inputs can be used to connect passive 4-20mA sensors to the device or in the alternative configuration active 4-20mA sensors.



3.3.1 Terminals

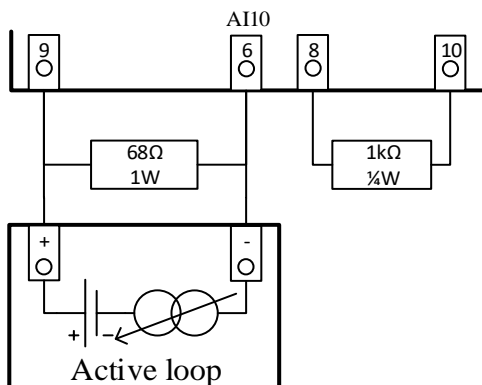
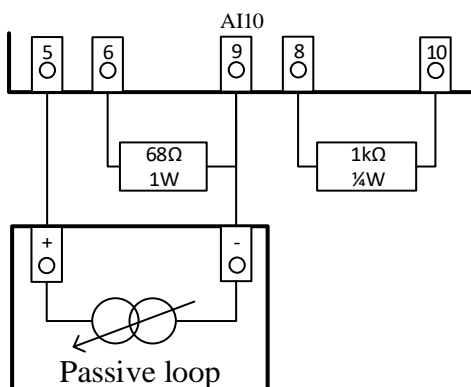
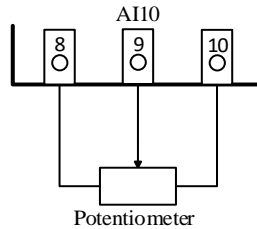
	Passive sensor	Active sensor
AI1	11 (+) 12 (-)	12 (+) 6 (-)

3.3.2 Electrical specifications

AI – Analogue input	
External loop max Rload	820 Ohm at 20mA and 16.4VDC
Operating area	4 – 20mA
Minimum span	12mA
Cable length	1000 meters
Linearity	< 0.1%
Temperature coefficient	0.01% / 1°C (Warm-up: 10 min)
Rin	< 100 Ohm

3.4 Position sensor – AI10

The position feedback can be delivered from a 3-wire potentiometer. The sensor input can as an alternative also be used as a 4-20mA loop input.



The external resistors must be mounted to get the correct functionality.

3.4.1 Terminals

	Sensor	Passive loop	Active loop
AI10	8 Pot high 9 Wiper 10 Pot low	5 (+) 9 (-)	9 (+) 6 (-)

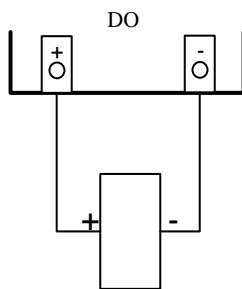
3.4.2 Electrical specifications

AI10 – Position sensor	
Potentiometer size	5 kΩ to 20 kΩ

Minimum use operating area	40%
Cable length	1.5 meters
Linearity	< 0.1%
Temperature coefficient	0.01% / 1°C (Warm-up: 10 min)
AI10 – Loop	
External loop max Rload	820 Ohm at 20mA and 16.4VDC
Operating area	4 – 20mA
Minimum span	12mA
Cable length	1000 meters
Linearity	< 0.1%
Temperature coefficient	0.01% / 1°C (Warm-up: 10 min)
Rin	< 100 Ohm

3.5 Digital output – DO1, DO2, DO3, DO4

24 VDC digital outputs.



3.5.1 Terminals

DO1	13 (+) 14 (-)
DO2	16 (+) 17 (-)
DO3	19 (+) 20 (-)
DO4	22 (+) 23 (-)

All DOs (-) are common with PS2 (-)

3.5.2 Electrical specifications

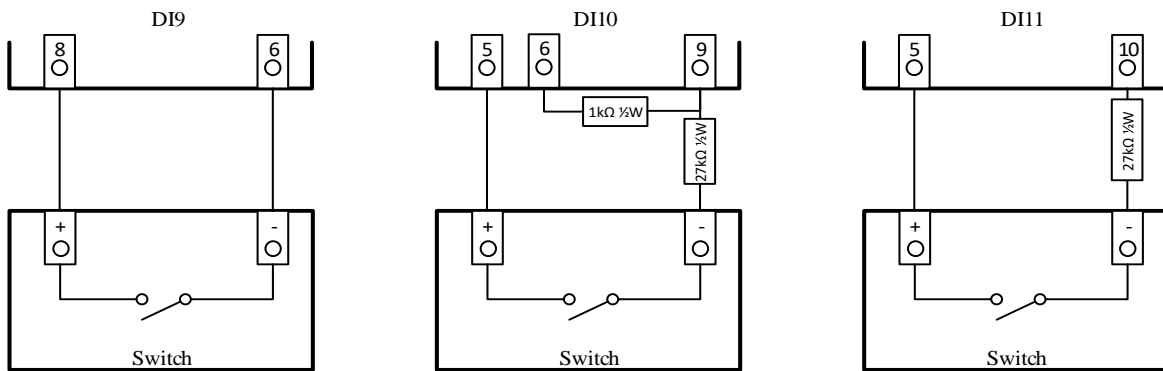
DO – Digital outputs	
Max load per digital output	up to 48W at 24VDC
Max load total	up to 192W at 24VDC

4 Alternative digital inputs

DI9 to DI17 are analogue inputs but configured in a way that makes it possible to use them as digital inputs.

4.1 Digital input – DI9, DI10, DI11

DI9, DI10 and DI11 substitutes AI10



The external resistor must be mounted to get the correct functionality.

4.1.1 Terminals

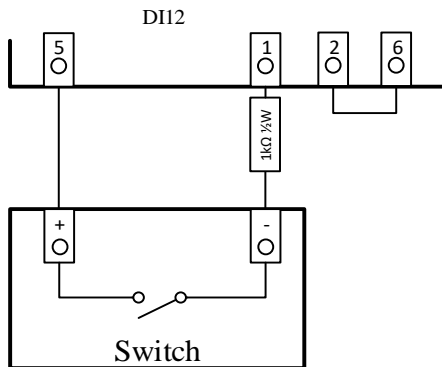
DI9	8 (+) 6 (-)
DI10	5 (+) 9 (-)
DI11	5 (+) 10 (-)

4.1.2 Electrical specifications

DI12	
Type	Switch
Cable length	1.5 meters

4.2 Digital input – DI12

DI12 substitutes AI0



The external resistor and connection between terminal 2 and 6 must be mounted to get the correct functionality.

4.2.1 Terminals

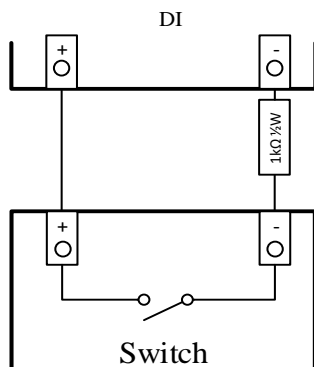
DI12	1 (+) 5 (-)
------	----------------

4.2.2 Electrical specifications

DI12	
Type	Switch
Cable length	1000 meters

4.3 Digital input – DI13

DI13 substitutes AI1.



The external resistor must be mounted to get the correct functionality.

4.3.1 Terminals

DI13	11 (+) 12 (-)

4.3.2 Electrical specifications

DI – Switch	
Type	Switch
Cable length	1000 meters